

BOXER 100

AIR-OPERATED DOUBLE DIAPHRAGM PUMPS



DEBEM
MADE IN ITALY



Suction / delivery connections	1" f BSPP (*)
Air fitting	3/8" f BSPP
Max flow rate*	160 l/min
Max supply air pressure	8 bar
Max head*	80 m
Max negative suction head - dry running**	4 m
Max negative suction head - pump primed	9,5 m
Max diameter suspended solids	4 mm
Noise level	75 dB
Volume per stroke	222 cc



(*) NPT fittings only on request

* The curves and performances refer to pumps with immersed suction and open delivery outlet with water at 20 °C and vary according to the composition materials.

** Value depends on pump configuration.

CE



- Product designed and constructed in Italy
- PATENTED stall-prevention pneumatic circuit
- Operates with NON-lubricated air
- SELF-PRIMING
- Supports dry running
- ATEX certification for ZONE 1 - ZONE 2
- IECEx certification
- Adjustable operating speed
- Versatile
- Suitable for pumping fluids with high viscosity and for demanding applications
- Usable with fluids containing suspended solids
- Option of suspended installation
- Manifolds available with stainless steel reinforcement rings for PP - PP + CF - PVDF pumps
- Suitable for continuous use

BOXER 100

AIR-OPERATED DOUBLE DIAPHRAGM PUMPS



Specifications and types



ATEX Zona 1 (CONDUCT): II2GExhIIBT4Gb – II2DExhIIBT135°CDbX
 ATEX Zona 2 (STANDARD): II3GExhIIBT4Gc – II3DExhIIBT135°CDcX – IM2ExhIMbX*
 IECEx: ExhIIBT4Gb – ExhIIBT135°CDb

* The string relating to mining applications is not applicable to aluminium BOXER range pumps



PP

Boxer 100



Maximum Dimensions

Height	325 mm
Width	329 mm
Depth	202 mm



Construction materials (body and manifolds) and net weight

Polypropylene (with glass filler)	7,6 Kg
	Temp. 3°C min. 65°C max
Conductive polypropylene (with carbon filler)	7,6 Kg
	Temp. 3°C min. 65°C max



PVDF

Boxer 100



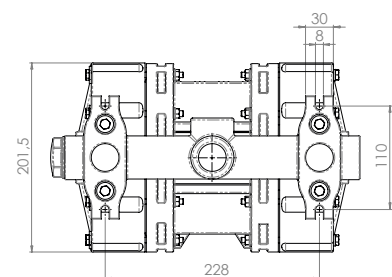
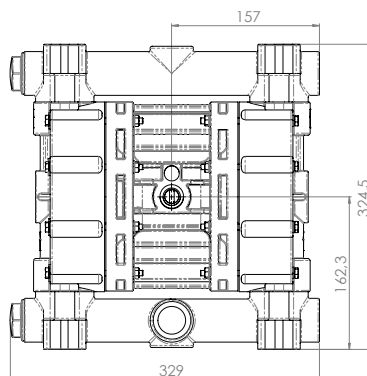
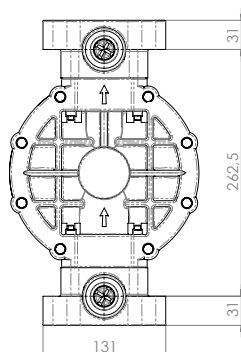
Maximum Dimensions

Height	325 mm
Width	329 mm
Depth	202 mm



Construction materials (body and manifolds) and net weight

PVDF (with carbon filler)	9,6 Kg
	Temp. 3°C min. 95°C max



BOXER 100

AIR-OPERATED DOUBLE DIAPHRAGM PUMPS



Specifications and types



ATEX Zona 1 (CONDUCT): II2GExhIIIBT4Gb – II2DExhIIIBT135°CDbX
 ATEX Zona 2 (STANDARD): II3GExhIIIBT4Gc – II3DExhIIIBT135°CDeX – IM2ExhIMbX*
 IECEx: ExhIIIBT4Gb – ExhIIIBT135°CDb

* The string relating to mining applications is not applicable to aluminium BOXER range pumps



ALU

Boxer 100



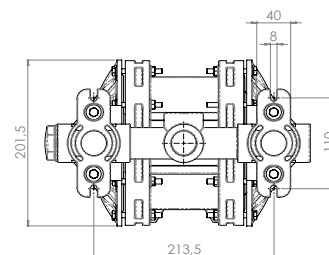
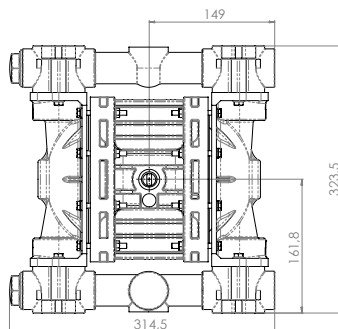
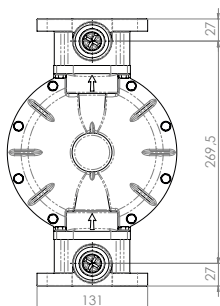
Maximum Dimensions

Height	324 mm
Width	315 mm
Depth	202 mm



Construction materials (body and manifolds) and net weight

ALU	8,5 Kg
	Temp. 3°C min.
	95°C max



AISI 316

Boxer 100



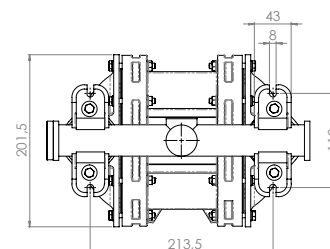
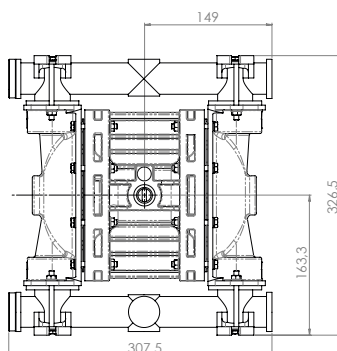
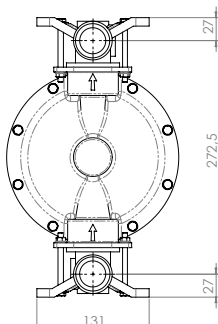
Maximum Dimensions

Height	327 mm
Width	308 mm
Depth	202 mm



Construction materials (body and manifolds) and net weight

AISI 316	11,7 Kg
	Temp. 3°C min.
	95°C max



BOXER 100

AIR-OPERATED DOUBLE DIAPHRAGM PUMPS

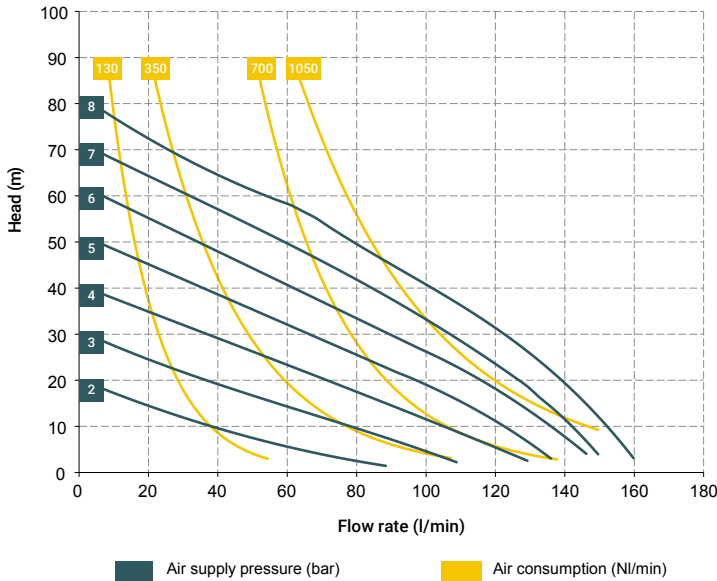


Specifications and types



ATEX Zona 1 (CONDUCT): II2GExhIIIBT4Gb – II2DExhIIIBT135°CDBX
 ATEX Zona 2 (STANDARD): II3GExhIIIBT4Gc – II3DExhIIIBT135°CDCX – IM2ExhIMbX*
 IECEx: ExhIIIBT4Gb – ExhIIIBT135°CDB

* The string relating to mining applications is not applicable to aluminium BOXER range pumps



* The curves and performances refer to pumps with immersed suction and open delivery outlet with water at 20 °C and vary according to the composition materials.

Accessories:

- Equaflux 200
- [For damper materials, please refer to the technical data sheet]
- Truck model 01
- Foot valve
- Air regulation kit W3000-10-G
- Batch controller
- Stroke counter
- Reinforcement rings
- Flange kit (DIN flanges - ANSI on request)

Distributor material T20 (compressed air circuit)

- POM

Core material:

- Polypropylene (with glass filler)
- Conductive polypropylene (with carbon filler)
- Aluminium
- Aisi 316

Diaphragm materials:

- PTFE
- HYTREL®
- SANTOPRENE
- NBR
- EPDM

Cap materials:

- Polypropylene (with glass filler)
- Conductive polypropylene (with carbon filler)
- PVDF
- Aluminium
- Natural ECTFE
- AISI 316 L

Ball materials:

- PTFE
- AISI 316 L
- EPDM
- NBR

O-ring materials:

- EPDM
- NBR
- VITON®
- PTFE

Packaging:

cardboard box - 27 x 39 x 41 cm - weight 1,4 kg
 (the weight refers only to the packaging without the pump inside)

Any colour variations in our polypropylene and PVDF products are due to the special blends of the raw materials used. The use of high levels of glass and long-fiber carbon filler result in a unique colour that does not in any way affect the quality of the product; on the contrary, it points to the high level of content used to ensure outstanding performance.

BOXER 100 (PP):

- A1 - A2 - A3 - A4 - A5 - A6
- M1 - M2 - M3 - M4 - M5 - M6

BOXER 100 (PVDF):

- A1 - A2 - A3 - A4 - A5 - A6
- M1 - M2 - M3 - M4 - M5 - M6

BOXER 100 (ALU):

- A1 - A2 - A3 - A4 - A5 - A6
- M1 - M2 - M3 - M4 - M5 - M6



BOXER 100 (INOX):

- A1 - A2 - A3
- M1 - M2 - M3

Standard fittings:

- Suction: A1
- Delivery: M1



Standard fittings:

- Suction: A1
- Delivery: M1

BOXER 100

AIR-OPERATED DOUBLE DIAPHRAGM PUMPS



Specifications and types



ATEX Zona 1 (CONDUCT): II2GExhIIIBT4Gb – II2DExhIIIBT135°CDbX
 ATEX Zona 2 (STANDARD): II3GExhIIIBT4Gc – II3DExhIIIBT135°CDcX – IM2ExhIMbX*
 IECEx: ExhIIIBT4Gb – ExhIIIBT135°CDb

* The string relating to mining applications is not applicable to aluminium BOXER range pumps

BOXER PUMPS CODES ENCODING

ex. IB100-P-HTTPV--

Internal distributor, Boxer 100, body PP, air-side diaph. Hytrel®, product-side diaph. PTFE, AISI 316 L balls, PP ball seats, EPDM O-Ring.

IB100- PUMP MODEL	P PUMP BODY	H AIR-SIDE DIAPHRAGM	T FLUID-SIDE DIAPHRAGM	T BALLS	P BALL SEATS	V O-RING	- MANIFOLD	- VERSION
IB07 - Boxer 07 IB15 - Boxer 15 IMICR - Microboxer IB35 - Boxer 35 IB50 - Boxer 50 IMIN - Miniboxer IB81 - Boxer 81 IB90 - Boxer 90 IB100 - Boxer 100 IB150 - Boxer 150 IB251 - Boxer 251 IB252 - Boxer 252 IB522 - Boxer 522 IB502 - Boxer 502 IB503 - Boxer 503	P - PP PC - PP+CF FC - PVDF+CF A - AISI 316 (L) AL - ALU	N - NBR D - EPDM H - Hytrel® M - Santoprene®	T - PTFE	T - PTFE A - AISI 316 L D - EPDM N - NBR	P - Polypropylene F - PVDF A - AISI 316 L I - PE-UHMW R - PPS L - Aluminium	D - EPDM V - Viton® N - NBR T - PTFE	X* 3* Y* W* K*	C* Z*

Example table, for the table with the complete codes please contact the Debem sales department.

*X = split manifold
 *3 = 3rd hole on the manifold
 *Y = manifold with NPT fitting
 *W = clamp manifold
 *K = manifold with reinforcement rings
 (all on request only)

C = CONDUCT version for ATEX ZONE 1
 Z = Version for IECEx Standard

SELF-PRIMING USE



UNDER HEAD USE



SPLIT SUCTION
and DELIVERY



IMMERSED



SPLIT SUCTION



DRUM TRANSFER



MAIN APPLICATION SECTORS

